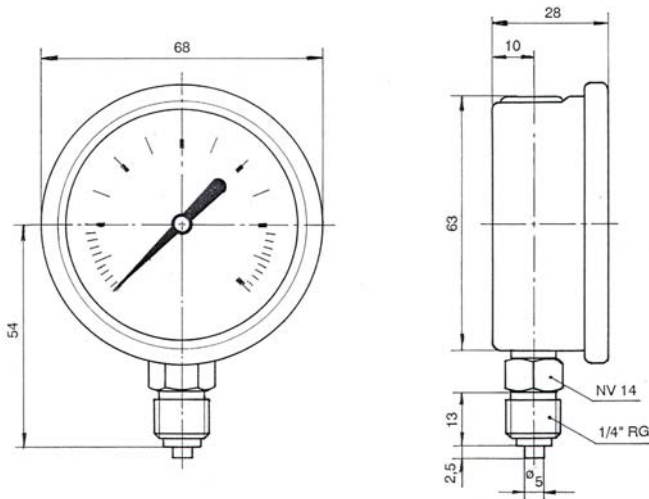
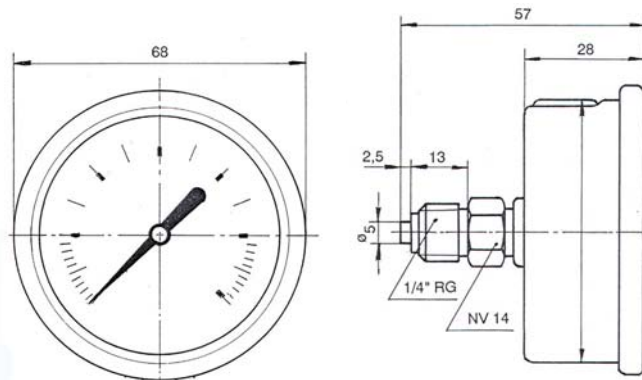


**GLYCERINE FILLED PRESSURE-, VACUUM-, AND COMPOUND GAUGES
63 MM. BOTTOM AND BACK CONNECTED.**



TYPE: 113



TYPE: 123

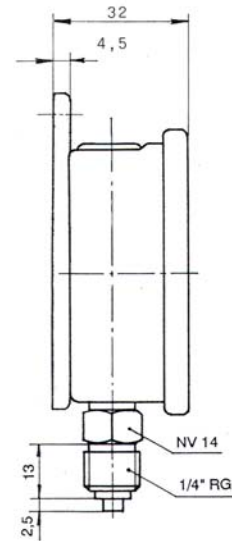
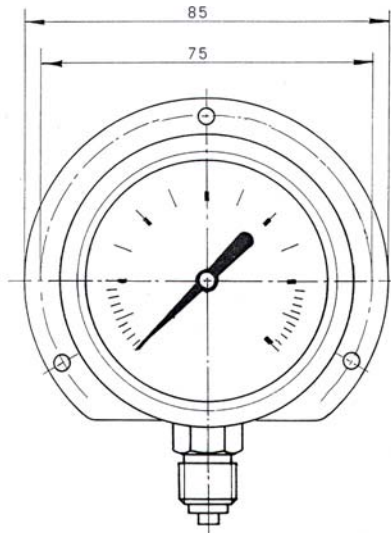
- NORM** : 837-1
CASE : Stainless steel (AISI 304) safety glass
SCALE : White with black markings. 270 ° defl.
CONNECTION : G ¼ B 113: bottom connected. 123: back connected.
MEASURING SYSTEM : Brass / bronze
PROTECTION : IP 67 (IEC 529)
AMBIENT TEMP. : -5....+65 °C
ACCURACY : 1,6

PRESSURE GAUGES				VACUUM GAUGES		COMPOUND GAUGES	
RANGES (bar)	DIV.	RANGES (bar)	DIV.	RANGES (bar)	div.	RANGES (bar)	DIV.
0-1	: 0,05	0-25	: 0,5	-1-0	: 0,05	-1-0-0,6	: 0,05
0-1,6	: 0,05	0-40	: 1,0			-1-0-1,5	: 0,05
0-2,5	: 0,05	0-60	: 1,0			-1-0-3	: 0,1
0-4	: 0,1	0-100	: 2,0			-1-0-5	: 0,1
0-6	: 0,1	0-160	: 2,0			-1-0-9	: 0,2
0-10	: 0,2	0-250	: 5,0			-1-0-15	: 0,2
0-16	: 0,2	0-400	: 10,0				

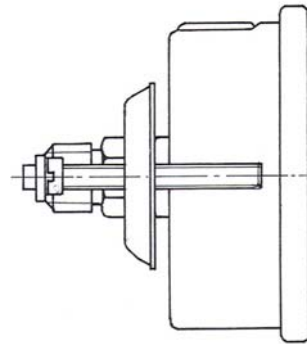
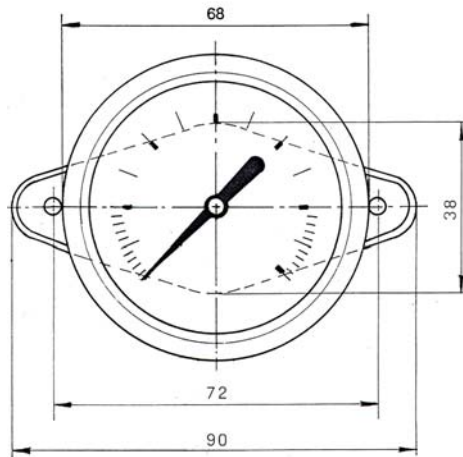
OPTIONS:

- Surface mounting flange (datasheet 8.3s2)
- Panel mounting flange (datasheet 8.3s2)
- Triangular bezel (datasheet 8.3s2)
- Dry execution
- Silicon oil filling
- Other unit of measurement ex. PSI, Mpa, kPa, kg/cm2
- Another connection ex. ¼" NPT
- Refrigerant scale ex. R 134 A, R 22
- Restrictor screw
- Customer logo

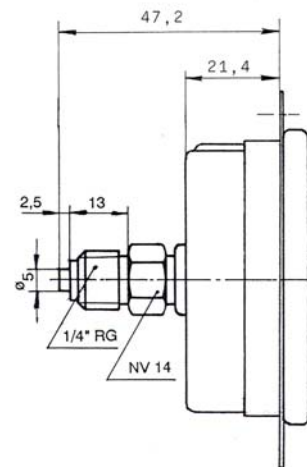
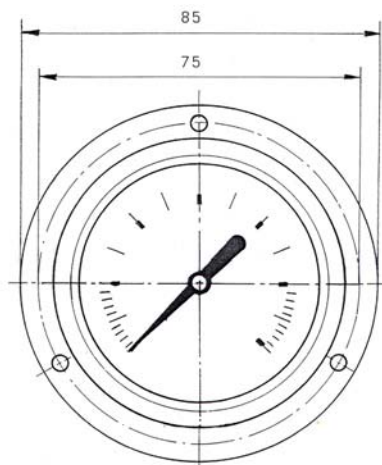




TYPE 113 B



TYPE 123 B



TYPE 123 F